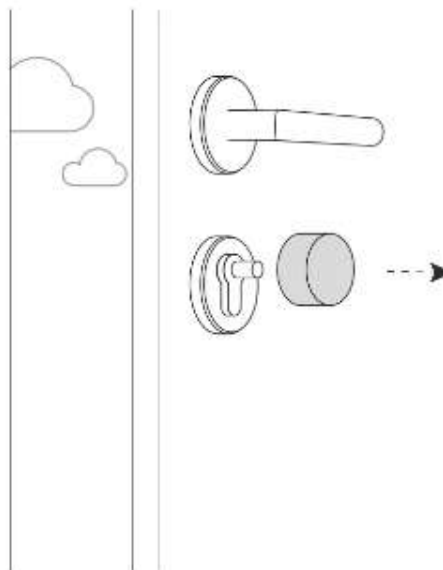


Installation

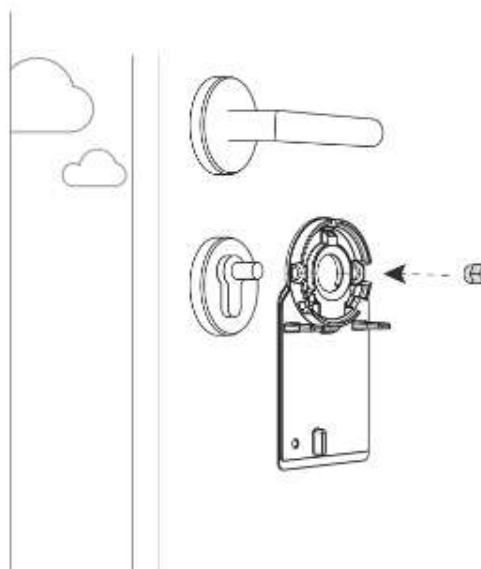
1:

Disassemble the knob from your cylinder. Keep to the requirements of the cylinder manufacturer.



2:

Use the specific adapter that fits your cylinder for the assembly of the Smart Lock, instead of the key.



3:

In the mapping table you can see which adapter fits with which cylinder.

| | | | | |
|----------------------------------|---|---|---|------------------|
| EVVA, CES |  |  |  | 10mm |
| CISA, ABUS, AXA BRICARD, ISEO |  |  |  | 7,90mm 6,90mm |
| KESO |  |  |  | 7mm |
| DORMA, KABA |  |  |  | 8mm 6mm |
| WINKHAUS, DOM |  |  |  | 13mm |
| NEMEF |  |  |  | 12mm |
| YALE, M&C |  |  |  | 8mm |
| MAUER |  |  |  | 9,50mm |